





Assembly Instructions and Hardware list for Model 111 & Model 211 Basic Unit 4' x 5' unit.

Parts List:

Qty	Part Number	Description
2	PB3	4' End Panels
2	PB4	5' Side Panels
4	PB1	Corner Brackets
1	PB8	4' x 5' ½" Hardware Cloth
16	B6131121	 1/4-20 x ½" Hex Head Bolt
16	N6101126	 1/4"-20 Nylon Lock Nut
Tools Needed		
2	7/16" wrenches,	
	or adjustable wrenches	

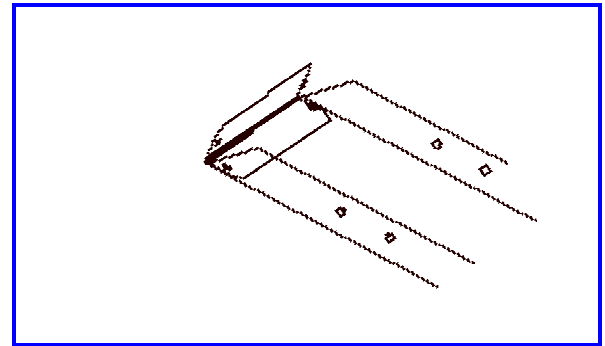


Figure 1

Remove all PVC plastic from all sides of panels and corner brackets.

Place the panels on the ground with the same size panels across from each other, with the bent lip facing up.

Attach the corner brackets to the ends of the 4 foot panels. (placing the corner bracket underneath the panel with the leg facing up. This will allow the lip to be on the inside. Just hand tighten at this point.(See Figure 1.)

After attaching the corner brackets to the 4' panels start at one corner and set a 4' and a 5' panel up on edge with the flanges to the inside and bolt the sides together (NOTE: The corner brackets must be on the outside of the panels). (See Figure 2.)

Again just hand tighten at this point.

Repeat this with the remaining corners.

After all corners are put together make sure that the panel is square and tighten all bolts with the

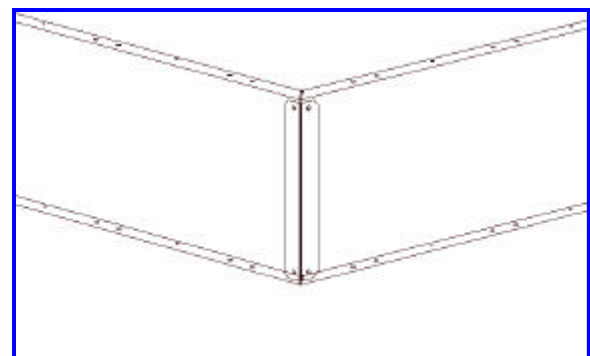


Figure 6

wrenches.

Place the hardware cloth on the ground where you want to have your garden. (Note: placing the hardware cloth with the bow up will make it easier to place the Easy-Garden unit on top of it.) You could also use nails, bricks, rocks, or soil to hold the cloth down while you place the unit on top of it.

Add about 12 inches of soil and you are ready to plant in your new Easy-Garden raised planting bin.