

Please read all instructions before starting assembly process.

If you have any questions or problems please call Easy-Garden Inc. at 1-800-25SURGI (1-800-257-8744). More information available on the internet at <http://www.easy-garden.com> E-mail address at info@surgi.com

Instructions for P571 Nest Boxes

Lay out all parts and check against materials list included in supplement to these instructions.

Tools Needed:

- 2 7/16 end wrenches, nut drivers, sockets or adjustable wrenches
- 1 Phillips screw driver (#2 preferred)

Assembly Steps

1. Attach part A to part B, arrows pointing up, labels to the outside using 3 self tapping screws (Note label A should be facing you) (See Fig. 1).
2. Attach part C to part A (arrows pointing up, labels to the outside) using 3 self tapping screws. (See Fig 2).
3. Attach part G to top of box with arrow pointing away from you (See Fig 4).
4. Attach hinge to part G.
5. Position part H (Lid) over box with arrow pointing away from you.
6. Attach hinge to part H (Lid).
7. Turn nest box assembly so panel A is facing up with arrows pointing away from you.
8. Attach bottom latch (bent part plastic removed) to bottom of panel A with bent end up. Do not tighten. Should slide up and down.

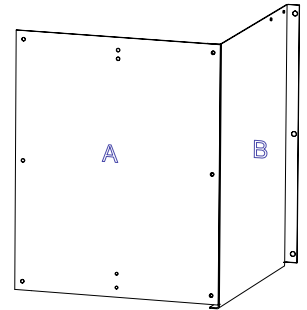


Figure 1

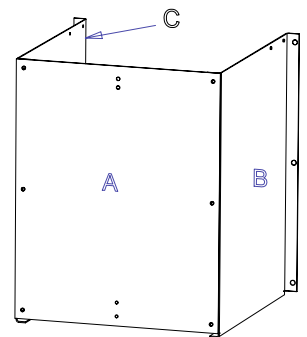


Figure 2

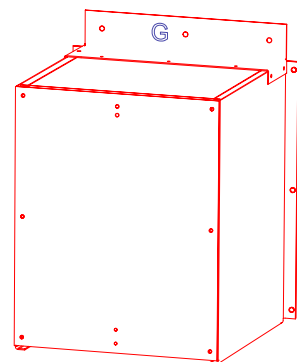


Figure 4

Please read all instructions before starting assembly process.

If you have any questions or problems please call Easy-Garden Inc. at 1-800-25SURGI (1-800-257-8744). More information available on the internet at <http://www.easy-garden.com> E-mail address at info@surgi.com

9. Attach lid latch strike to the inside of panel A through slot with screw heads to outside.
10. Turn box so lid H is up with arrows pointing towards you.
11. Attach barrel bolt to lid with 2 screws. (Figure #5)
12. Attach nest boxes to panel with 2 large holes. (NOTE the bottom of the panel is the same side which has the small holes under the nest box cutout.) The box must be attached to the outside of the panel (outside is the side where the bent lip on the top points away from the nest box).
13. Slide wooden perch over lip of panel inside nest box.
14. Attach panel to the chicken shelter.

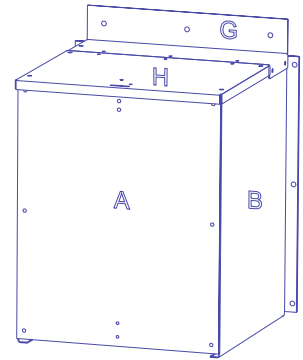


Figure 4Figure 5