

Please read all instructions before starting assembly process.

If you have any questions or problems please call Easy-Garden Inc. at 1-800-25SURGI (1-800-257-8744). More information available on the internet at <http://www.easy-garden.com> E-mail address at info@surgi.com

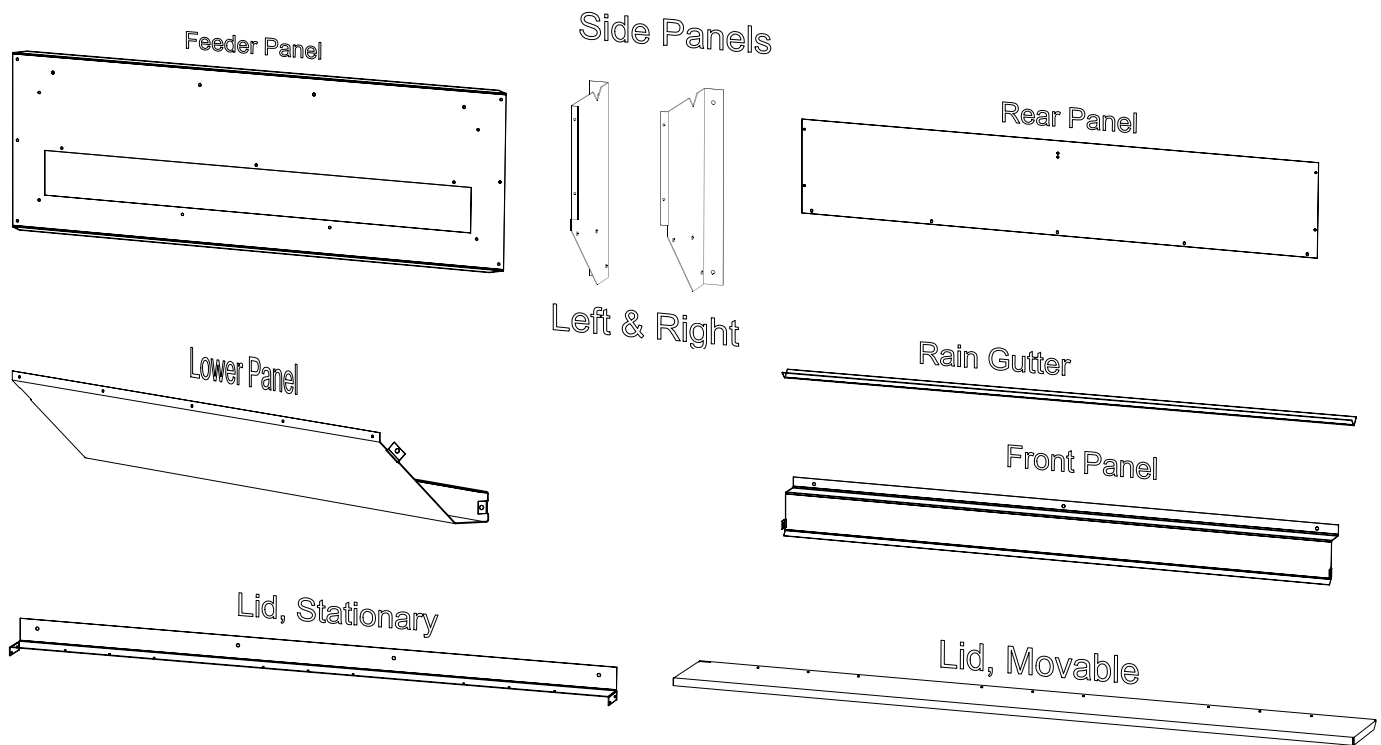
Assembly Instructions for Easy-Garden Chicken Run 3P Feed Box Model P581

**Important: Read all instructions before assembly.
See supplement for bill of materials list.**

Tools Needed:

- 2 7/16 end wrenches, nut drivers, sockets or adjustable wrenches
- 1 Phillips screw driver (#2 preferred)

Part Illustrations



Detailed Instructions

1. Assemble the side panels to the lower panel using 1/4-20 x 1/2" long bolts and locknuts as noted by "A" in Figure 1.
2. Attach the rear panel to the side panel/lower panel assembly from step 1 using 10-32 self tapper machine screw as noted by "B".

NOTE: Assembly should

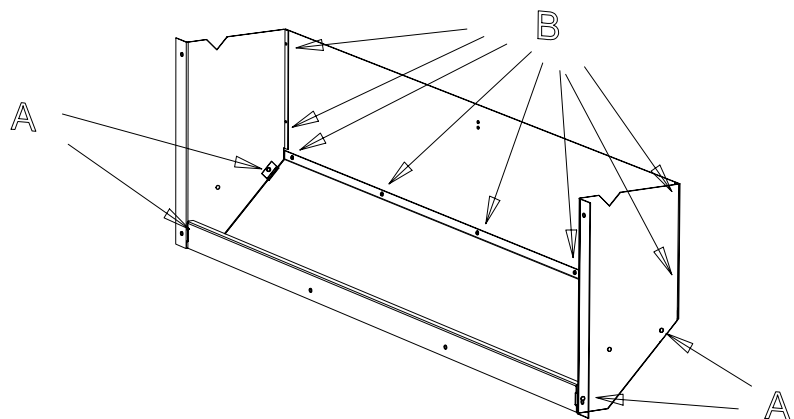


Figure 1

Please read all instructions before starting assembly process.

If you have any questions or problems please call Easy-Garden Inc. at 1-800-25SURGI (1-800-257-8744). More information available on the internet at <http://www.easy-garden.com> E-mail address at info@surgi.com

look like Figure 1 at right.

3. Attach Front panel to previous assembly using 1/4-20 x 1/2" long bolts and locknuts marked "A". See Figure 2 at right. **NOTE: Edge flange with 3 holes must face up and in the orientation as shown in Figure 2. Do not tighten up completely at this time.**
4. Attach completed assembly to Feeder panel using 1/4-20 x 1/2" long bolts and locknuts marked by "A" in Figure 3. **NOTE: You must attach completed assembly to panel on the correct side and orientation as shown in Figure 4. NOTE: TIGHTEN ALL NUTS AND BOLTS. NOTE: The correct side is toward you when the top flange is facing away from you.**
5. Insert rain gutter into "V" groove on top of sides.

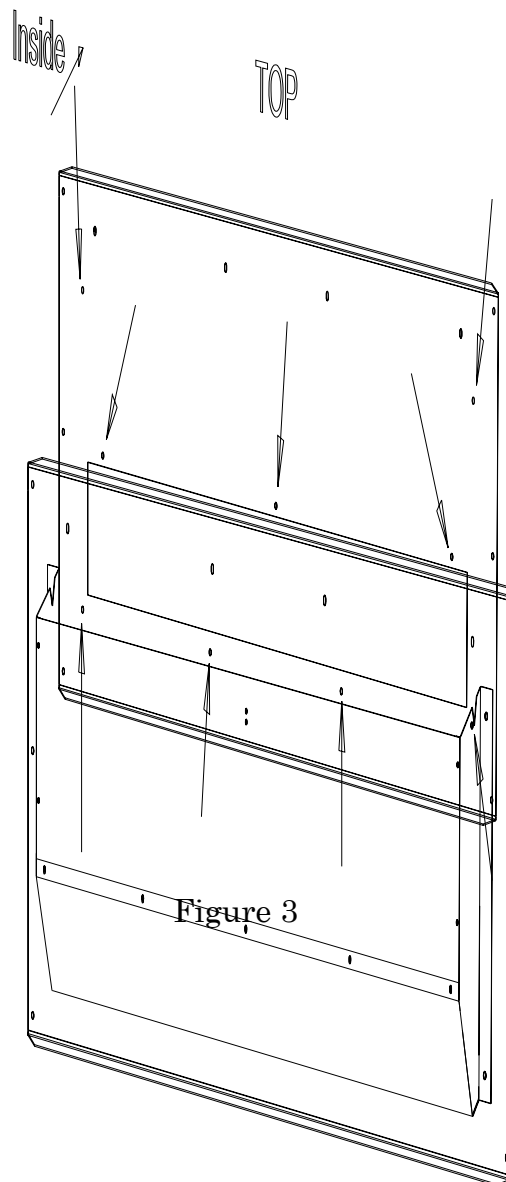
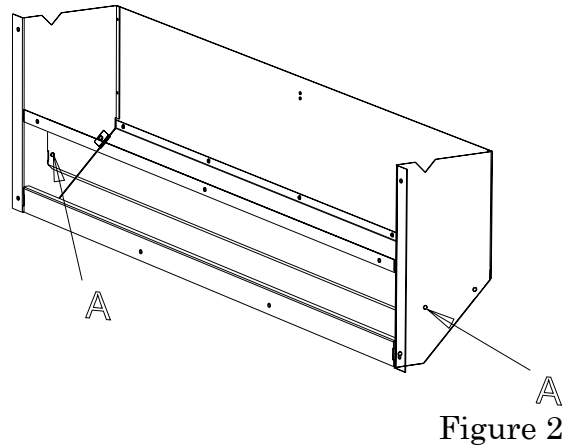


Figure 3

Figure 4

Please read all instructions before starting assembly process.

If you have any questions or problems please call Easy-Garden Inc. at 1-800-25SURGI (1-800-257-8744). More information available on the internet at <http://www.easy-garden.com> E-mail address at info@surgi.com

6. Attach Stationary lid and movable lid together with hinges using 10-32 self tapping screws. As shown by "B" in Figure 5.

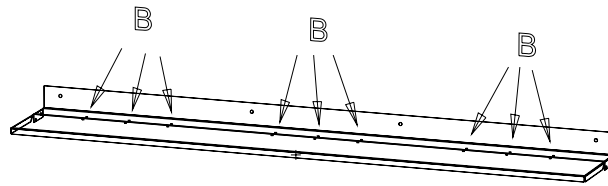


Figure 5

7. Attach lid assembly using 4 1/4-20 x 1/2" bolts and locknuts. See Figure 6

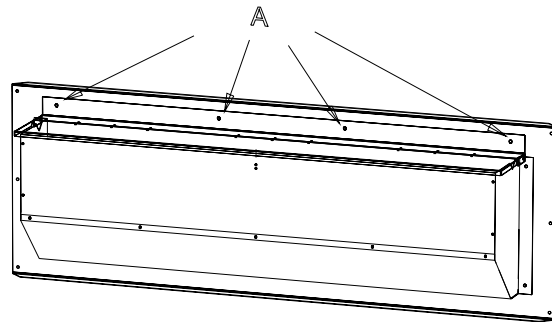


Figure 6

8. Attach lid latch using 2 10-24 machine screws and nuts.